

NOTES, UNLESS OTHERWISE SPECIFIED:

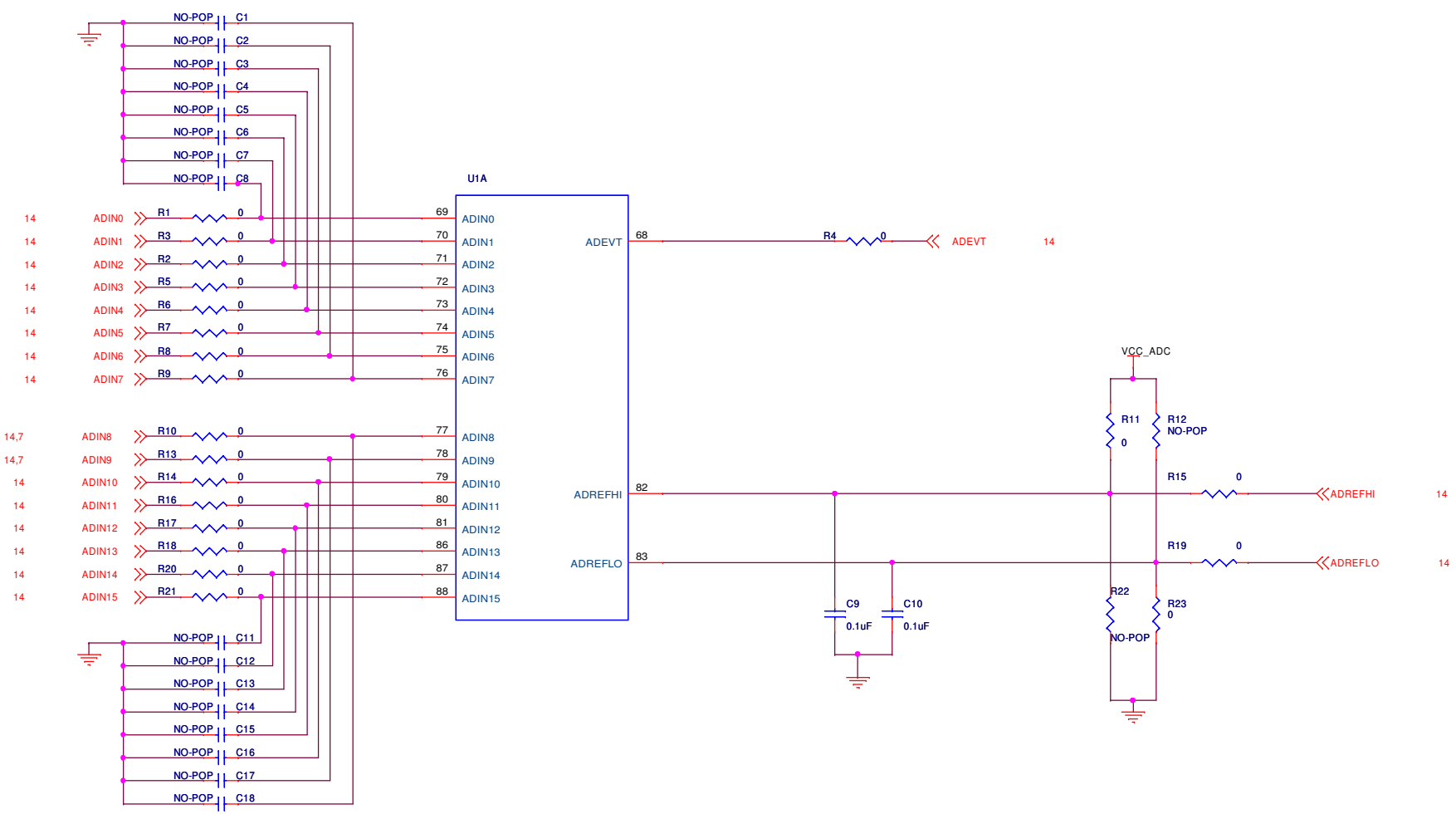
1. RESISTANCE VALUES IN OHMS.
2. CAPACITANCE VALUES IN MICROFARADS.
3. REFERENCE DESIGNATORS USED:
4. ALL 0.1 uF AND 0.01uF CAPACITORS ARE DECOUPLING CAPS UNLESS OTHERWISE NOTED. THEY ARE SHOWN ON THE PAGE WITH THE INTEGRATED CIRCUITS THEY SHOULD BE PLACED NEAR.
5. NHET1xx means NHET1_[xx].
6. OBSERVE THE LAYOUT NOTES IN SCHEMATIC.

SCHEMATIC CONTENTS

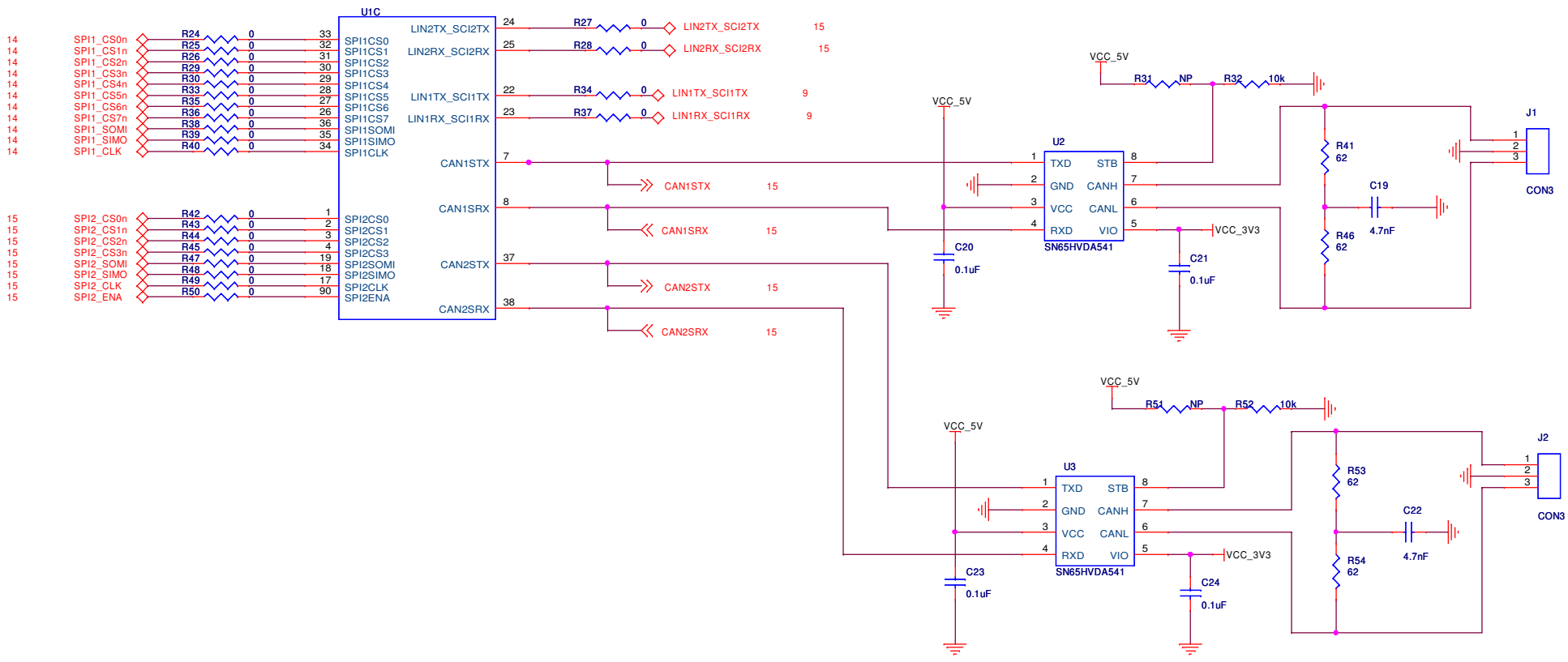
- 01 TITLE SHEET
- 02 MCU ADC
- 03 MCU SPI and DCAN Transceivers
- 04 MCU JTAG and OSC
- 05 MCU NHET and GIO
- 06 MCU Power and GND
- 07 Sensors, LEDs, and Pushbutton
- 08 JTAG Connector
- 09 XD100V2 FTDI2232
- 10 XDS100V2 CPLD
- 11 RESET
- 12 Power Supply
- 13 Power Input
- 14 EXP P1 and EXP P2
- 15 EXP P3

**Proprietary
&
Confidential**

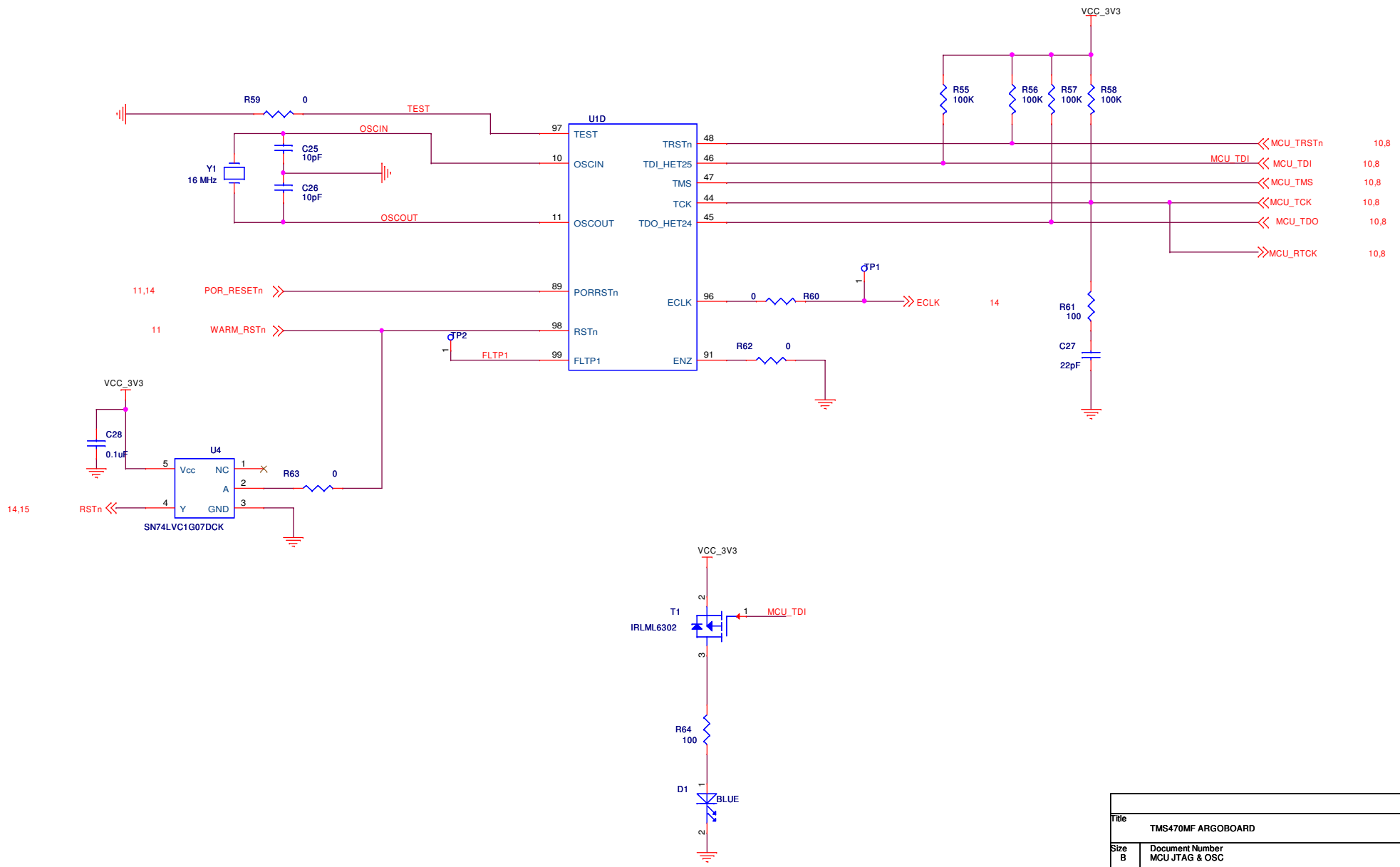
Texas Instruments Inc		
Title TMS470MF ARGOBOARD		
Size A	Document Number TITLE	Rev A
Date:	Tuesday, July 05, 2011	Sheet 1 of 15



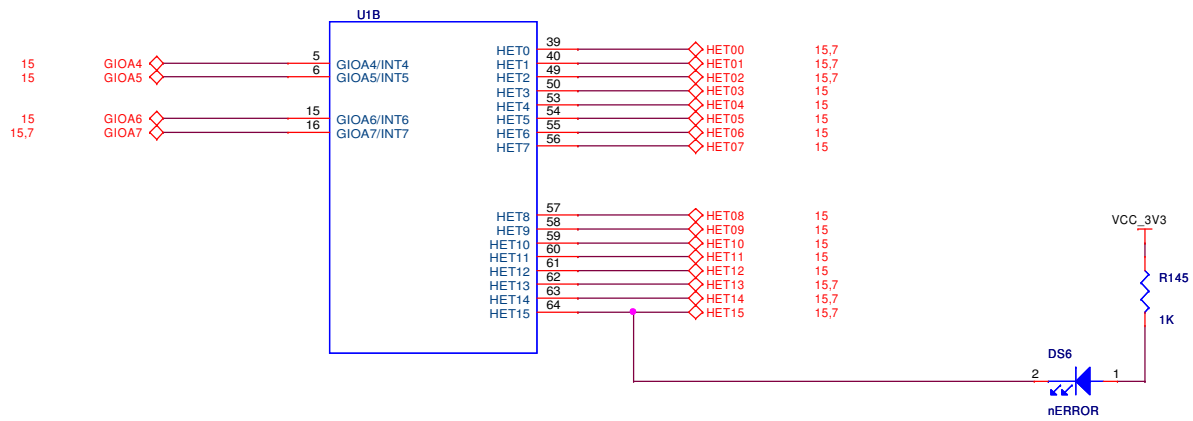
Title		
TMS470MF ARGOBOARD		
Size	Document Number	Rev
B	MCU ADC	A
Date:	Tuesday, July 05, 2011	Sheet 2 of 15



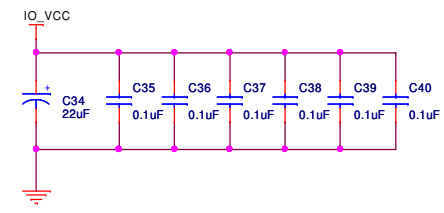
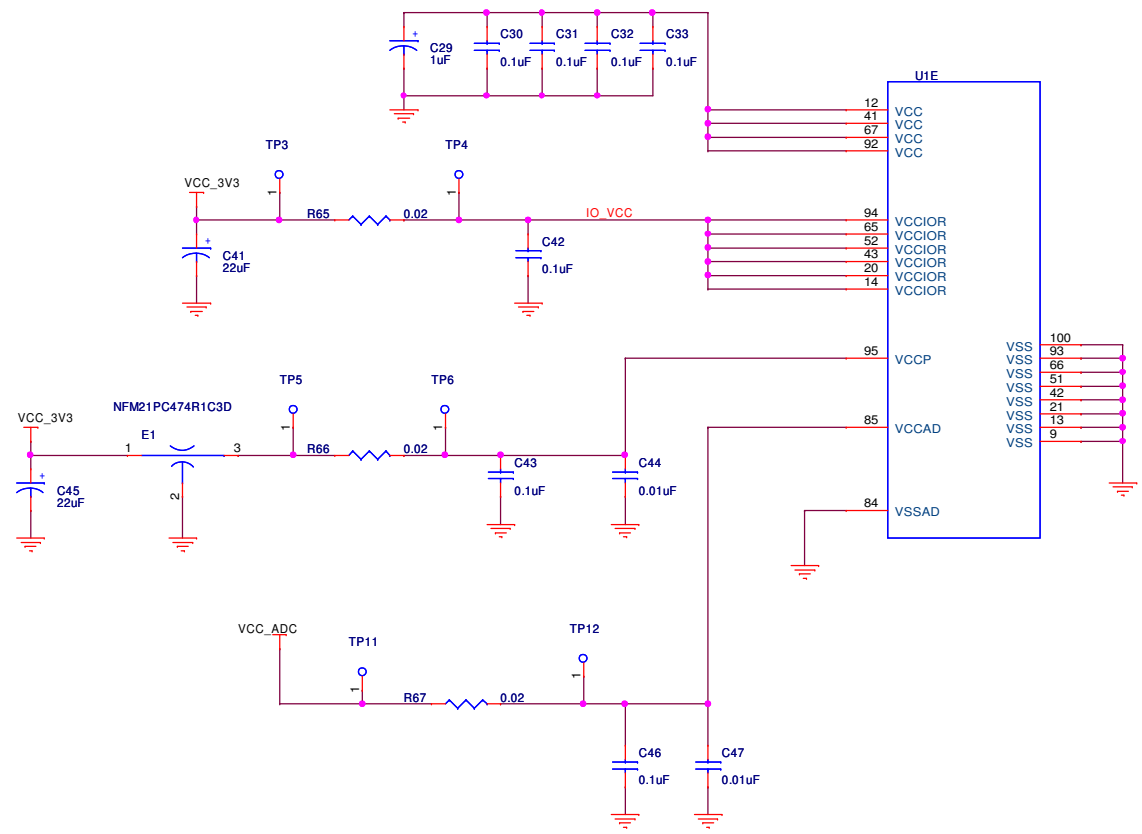
Title		
TMS470MF ARGOBOBOARD		
Size	Document Number	Rev
B	MCU MibSPis and DCAN Transceivers	A
Date:	Tuesday, July 05, 2011	Sheet 3 of 15



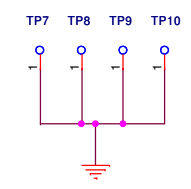
Title		
TMS470MF ARGOBOARD		
Size	Document Number	Rev
B	MCU JTAG & OSC	A
Date:	Tuesday, July 05, 2011	Sheet 4 of 15



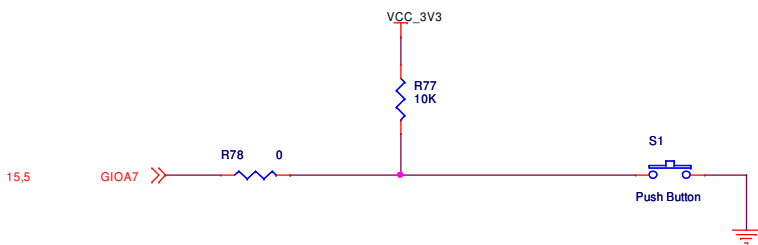
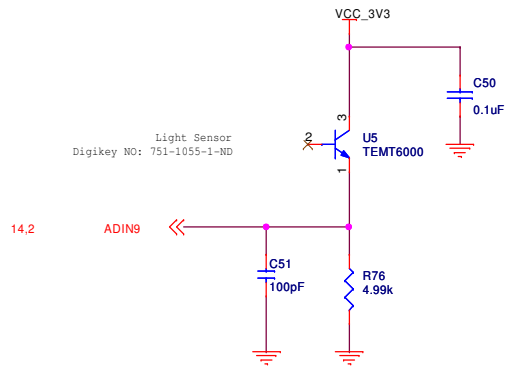
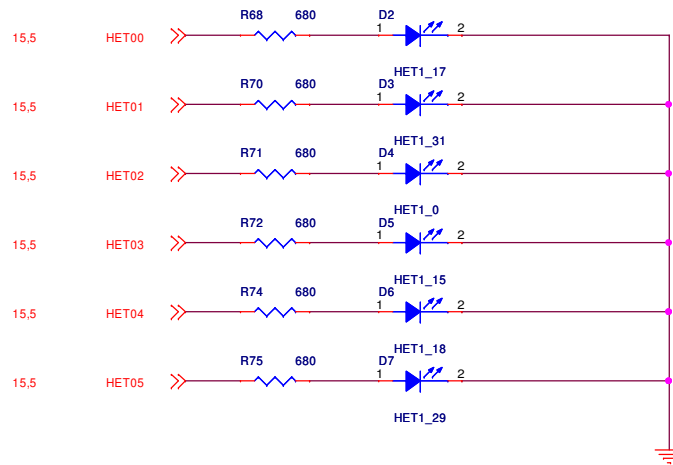
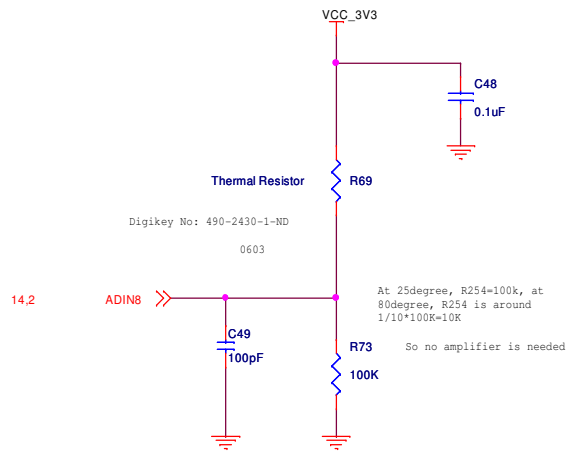
Title		
TMS470MF ARGOWBOARD		
Size	Document Number	Rev
B	MCU NHET and GIO	A
Date:	Tuesday, July 05, 2011	Sheet 5 of 15



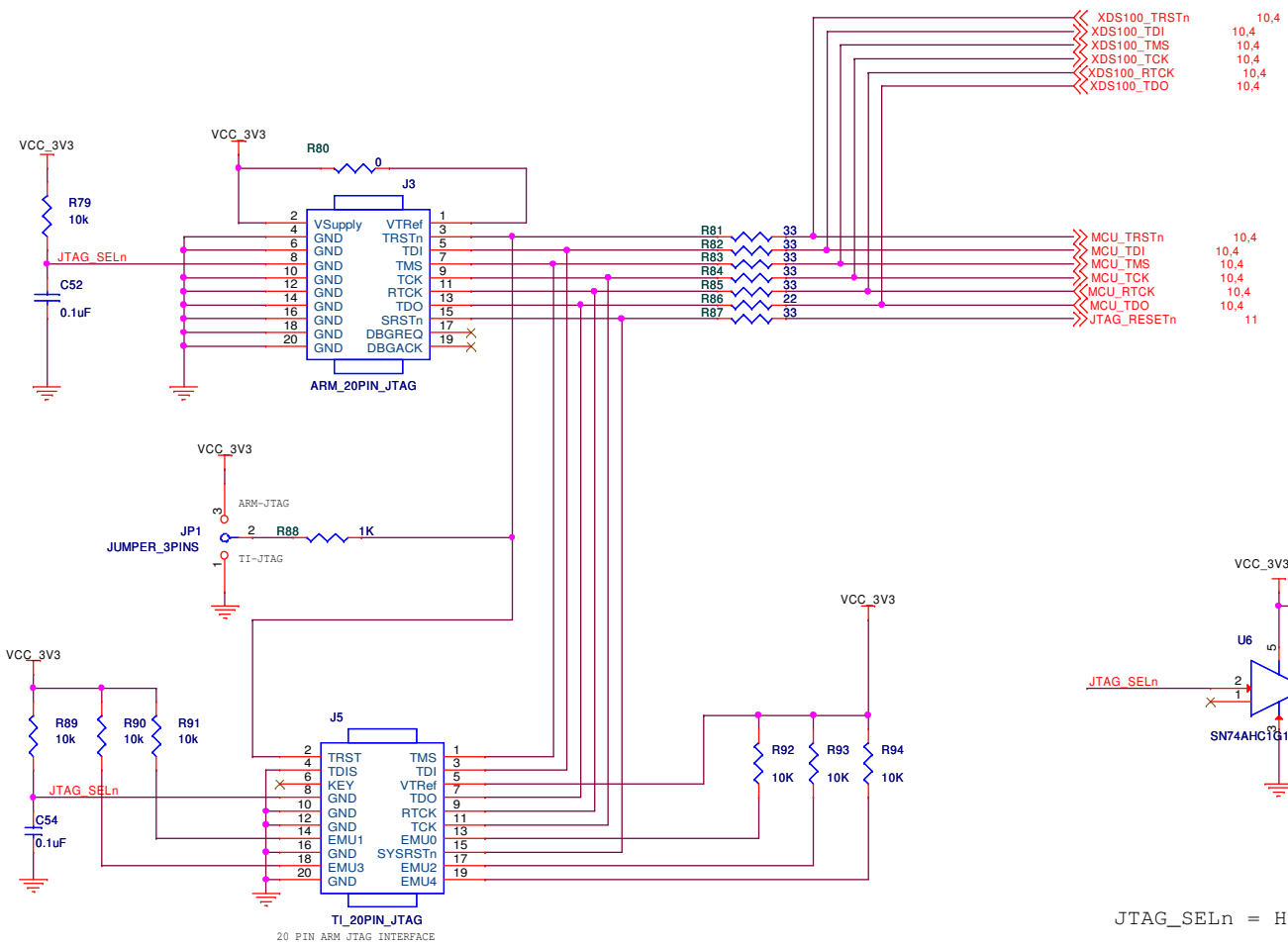
4 GND test points at the board's 4 corners



Title		
TMS470MF ARGBOARD		
Size	Document Number	Rev
B	MCU Power & GND	A
Date:	Tuesday, July 05, 2011	Sheet 6 of 15

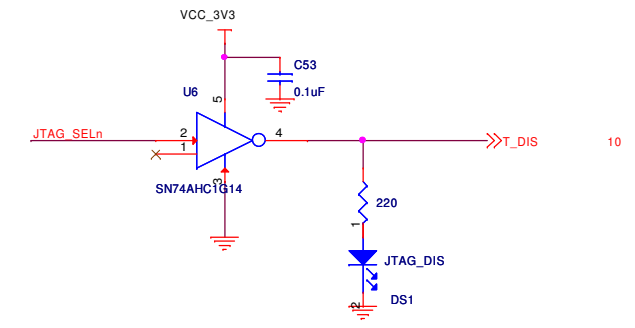


Title		
TMS470MF ARGBOARD		
Size B	Document Number	Rev A
	SENSOR, LED, PB	
Date:	Tuesday, July 05, 2011	Sheet 7 of 15



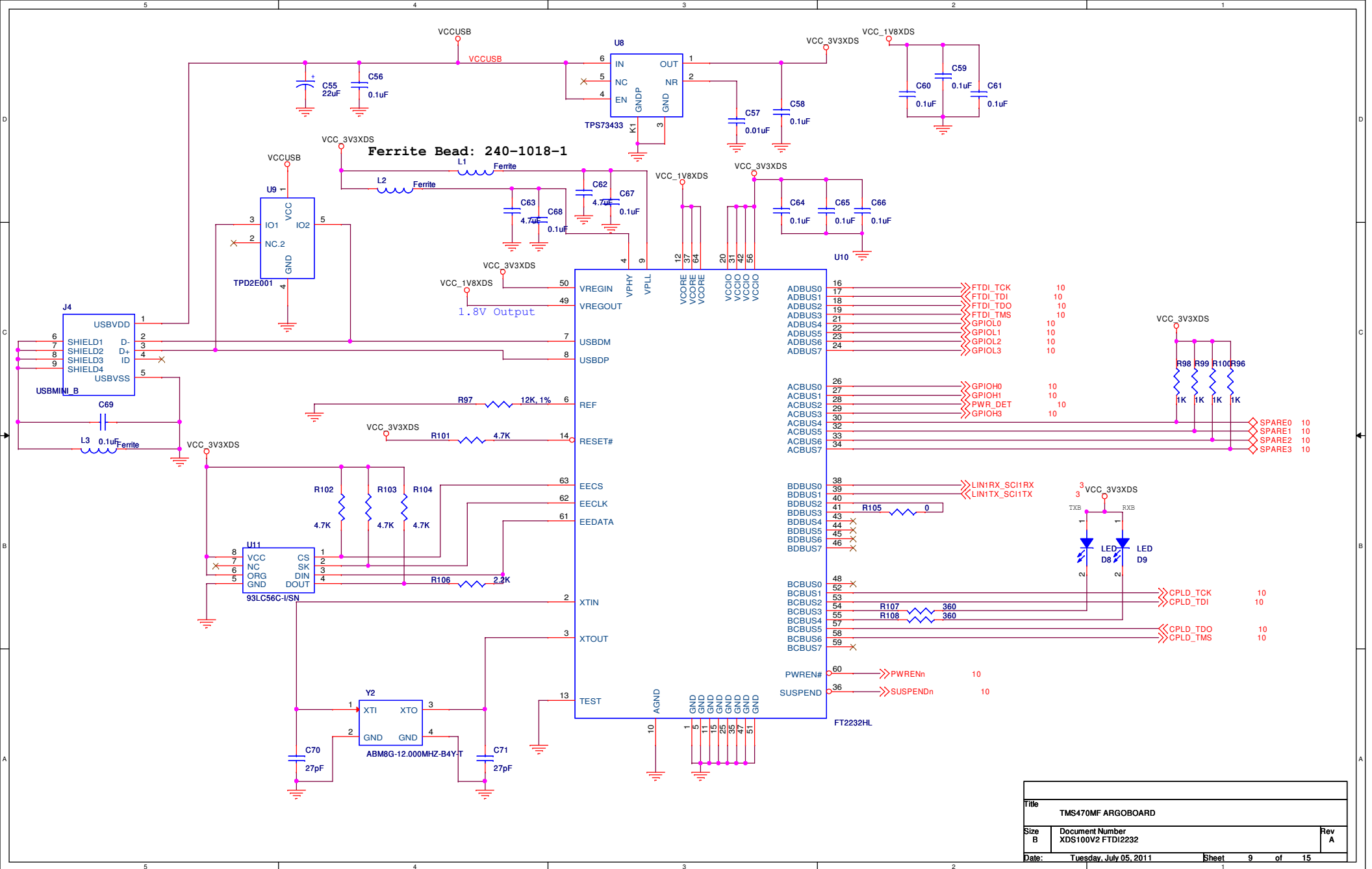
- XDS100_TRSTn 10,4
- XDS100_TDI 10,4
- XDS100_TMS 10,4
- XDS100_TCK 10,4
- XDS100_RTCK 10,4
- XDS100_TDO 10,4

- MCU_TRSTn 10,4
- MCU_TDI 10,4
- MCU_TMS 10,4
- MCU_TCK 10,4
- MCU_RTCK 10,4
- MCU_TDO 10,4
- JTAG_RESETn 11

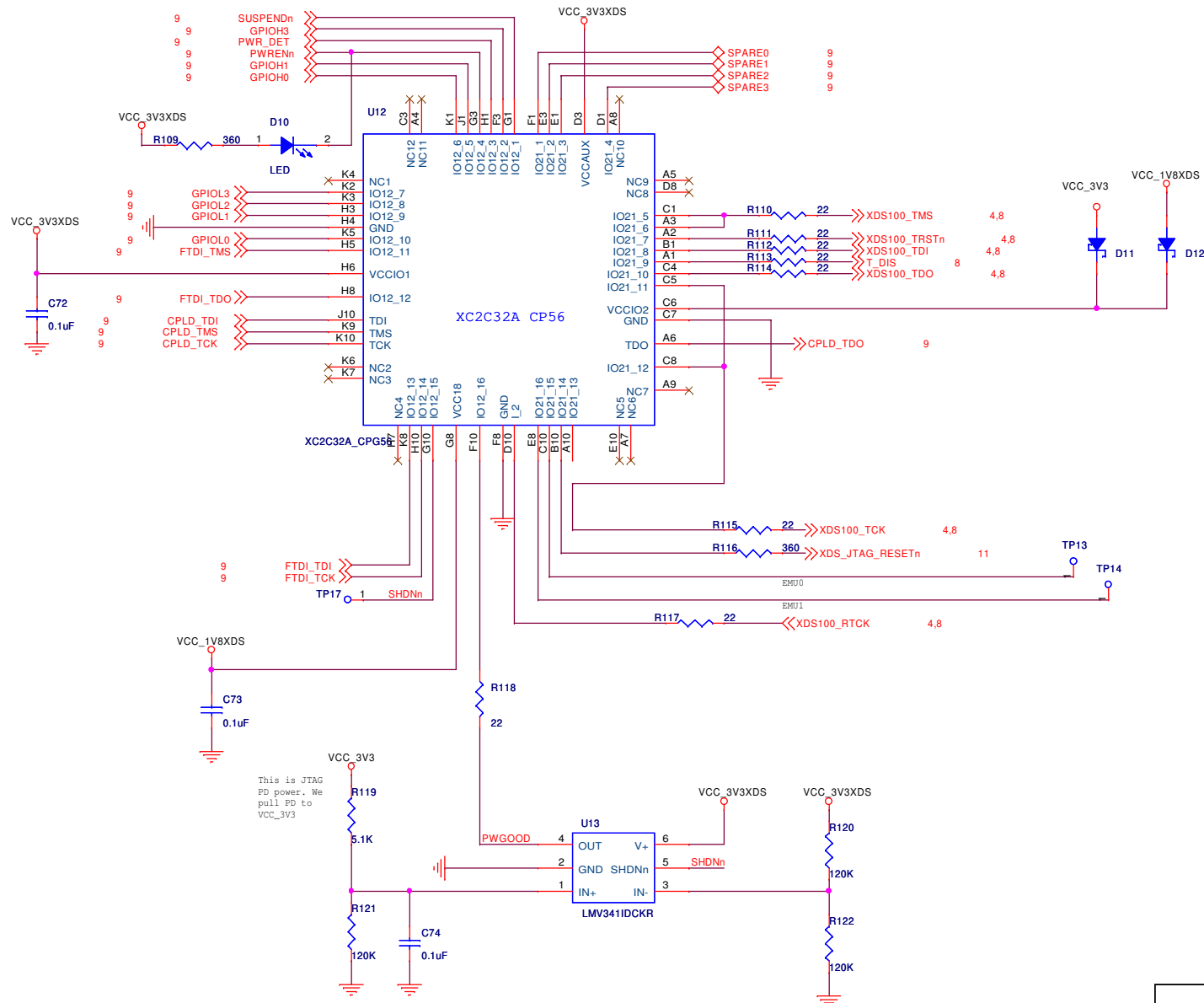


JTAG_SELn = HIGH --> XDS100
 JTAG_SELn = LOW --> ARM or TI JTAG

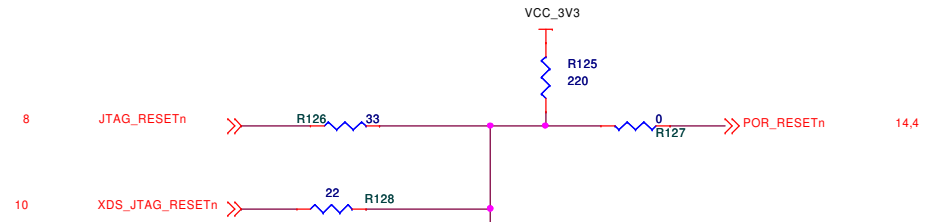
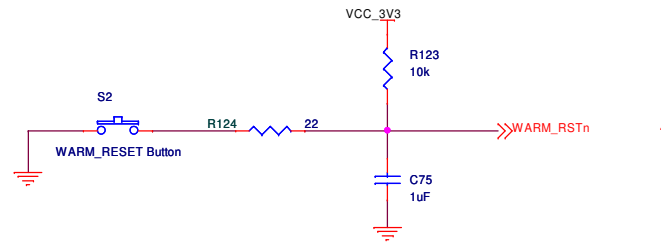
Title		
TMS470MF ARGOBOARD		
Size B	Document Number	Rev A
JTAG & MIPI Connectors		
Date:	Tuesday, July 05, 2011	Sheet 8 of 15



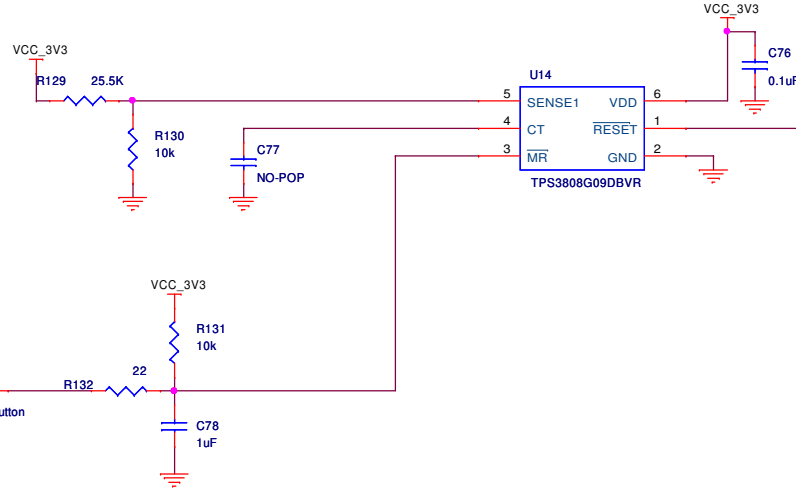
Title		
TMS470M ARGOBOARD		
Size	Document Number	Rev
B	XDS100V2 FTDI2232	A
Date:	Tuesday, July 05, 2011	Sheet 9 of 15



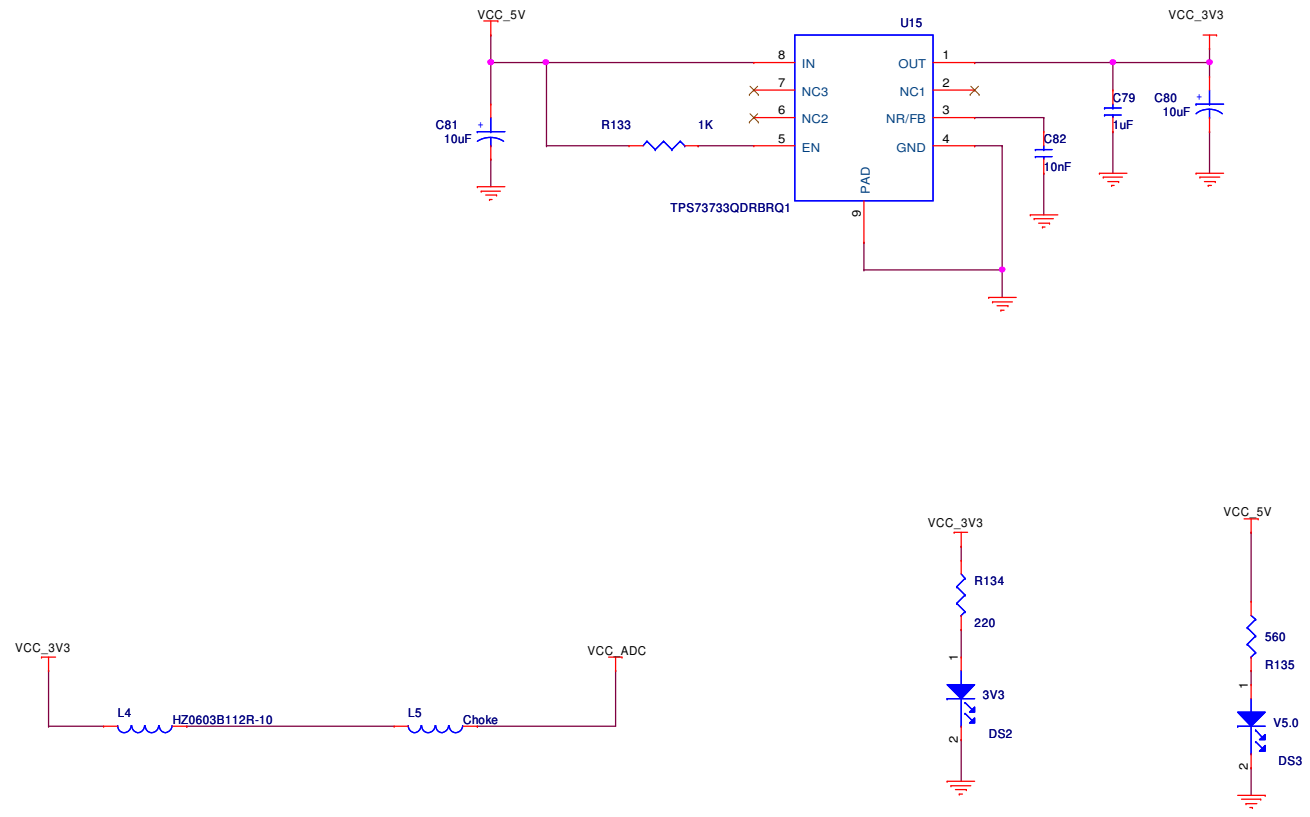
Title		
TMS470MF ARGBOARD		
Size	Document Number	Rev
B	XDS100V2 CPLD	A
Date:	Tuesday, July 05, 2011	Sheet 10 of 15



If VCC_3.3V below 3.0V --> RESET

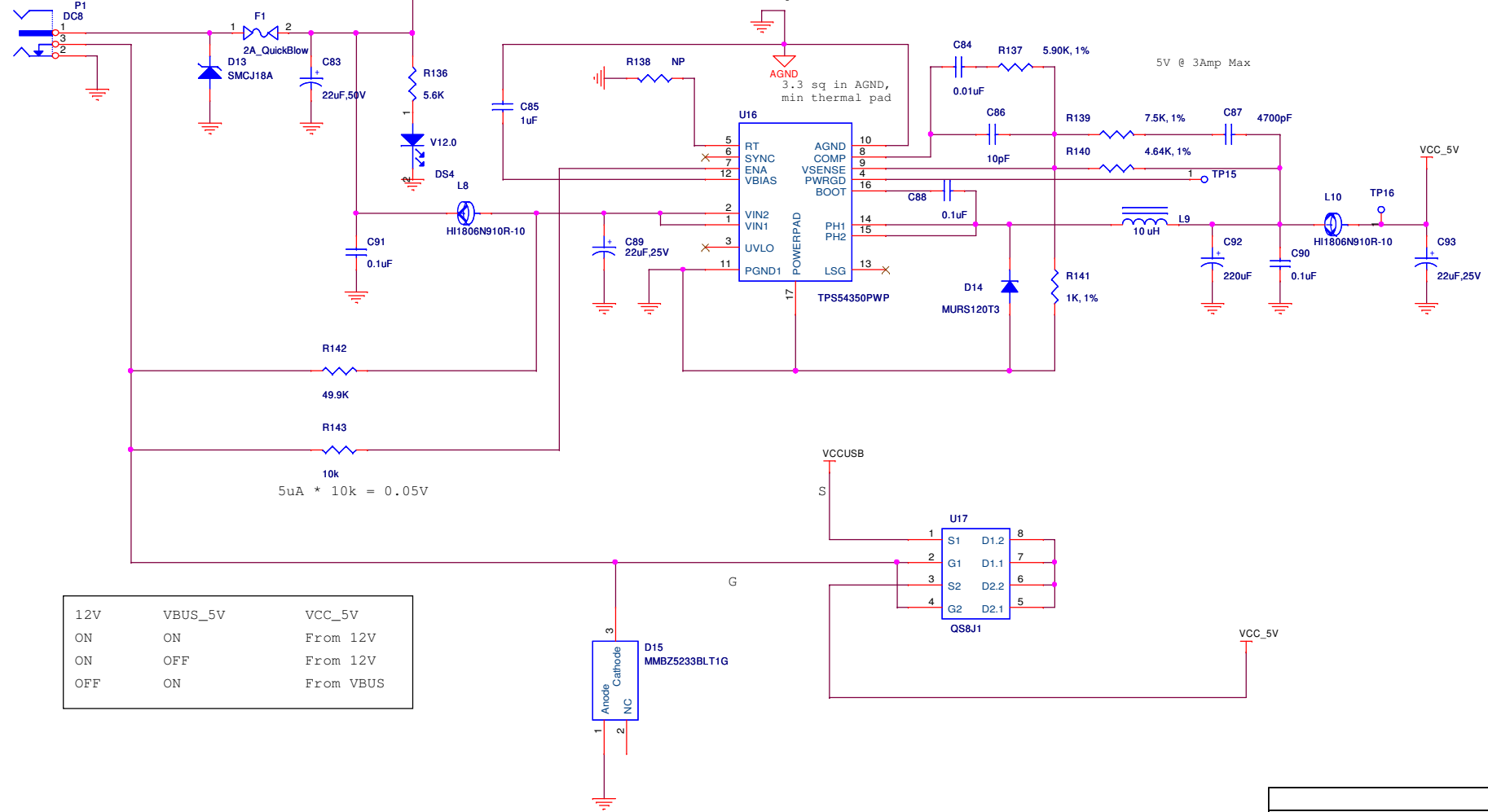


Title		
TMS470MF ARGOBOARD		
Size	Document Number	Rev
B	RESET	A
Date:	Tuesday, July 05, 2011	Sheet 11 of 15

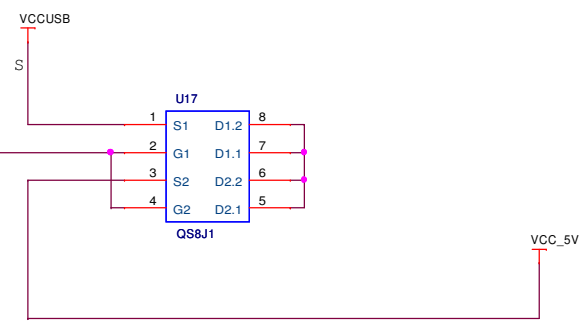
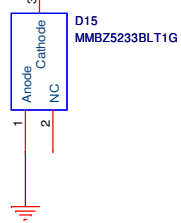


Title		
TMS470MF ARGBOARD		
Size	Document Number	Rev
B	Power Supply	A
Date:	Tuesday, July 05, 2011	Sheet 12 of 15

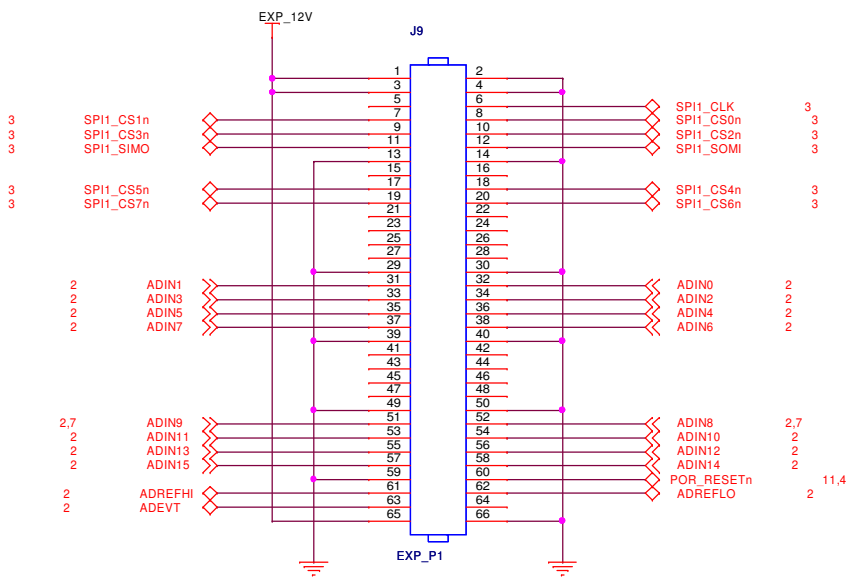
12V Input



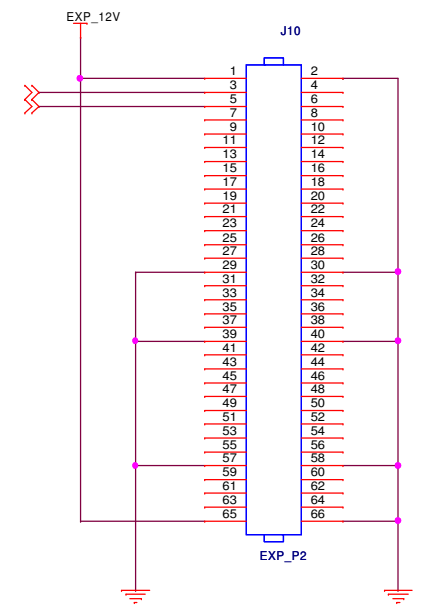
12V	VBUS_5V	VCC_5V
ON	ON	From 12V
ON	OFF	From 12V
OFF	ON	From VBUS



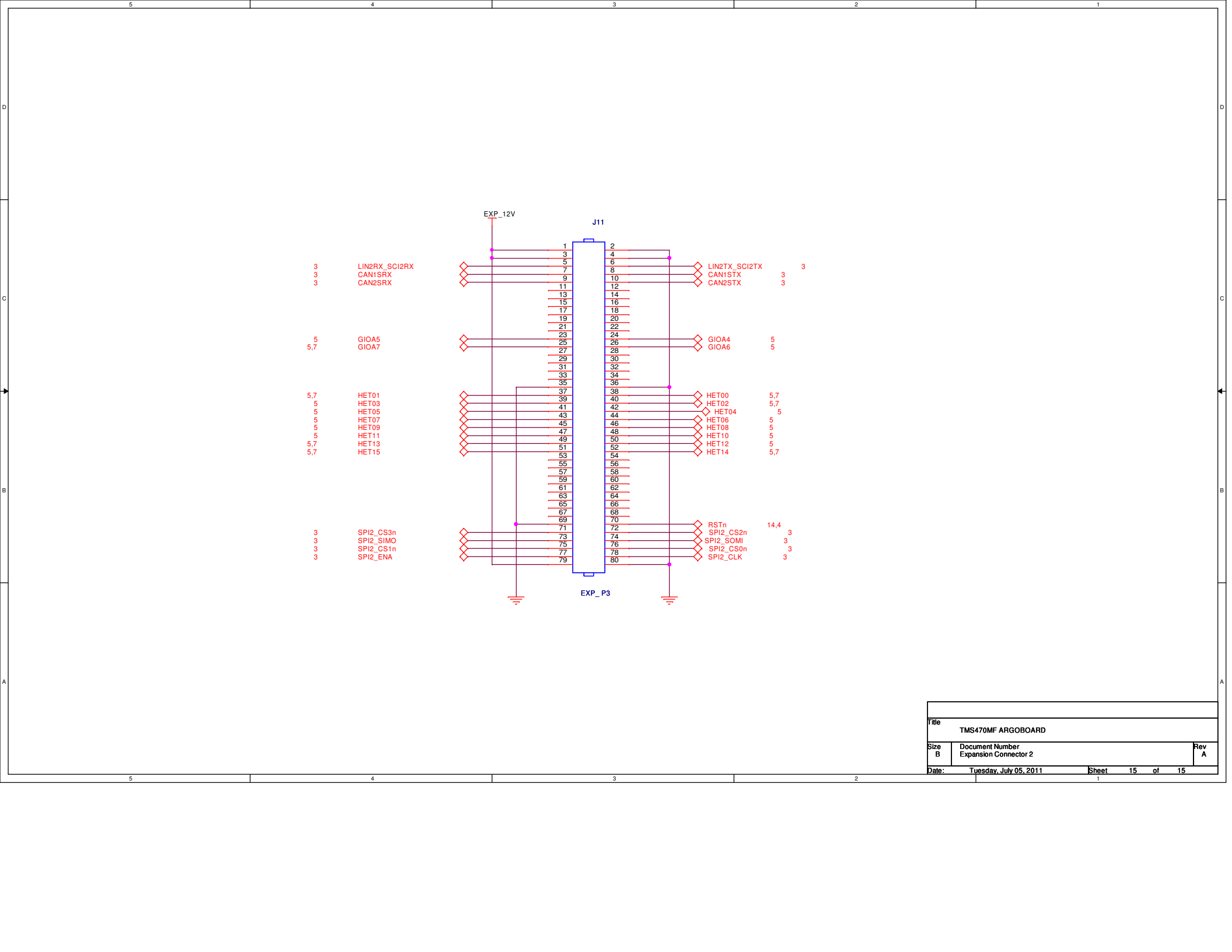
Title		
TMS470MF ARGBOARD		
Size	Document Number	Rev
B	Power Input	A
Date:	Tuesday, July 05, 2011	Sheet 13 of 15



4
15,4
ECLK
RSTn



Title		
TMS470MF ARGBOARD		
Size	Document Number	Rev
B	Expansion Connector 1	A
Date:	Tuesday, July 05, 2011	Sheet 14 of 15



Title		
TMS470MF ARGOWBOARD		
Size	Document Number	Rev
B	Expansion Connector 2	A
Date:	Tuesday, July 05, 2011	Sheet 15 of 15