

Experimenters Board for:

- TMDXRM48HDK
- TMDX570LS31HDK

www.ti.com/hercules

Sheet: HDK Connector J9 Interface

File: HDK_J9.sch

Sheet: HDK Connector J10 Interface

File: HDK_J10.sch

Sheet: HDK Connector J11 Interface

File: HDK_J11.sch

Sheet: LIN Transceiver

File: LIN.sch

Sheet: CAN Transceivers

File: CAN.sch

Sheet: FlexRay Transceivers

File: FLEXRAY.sch

Sheet: TPIC7312 EVM Interface

File: TPIC7312_EVM.sch

Sheet: Power Supply

File: POWER.sch

Sheet: ProtoArea

File: ProtoArea.sch



Texas Instruments Inc.

File: HDK_EXPERIMENTER.sch

Sheet: /

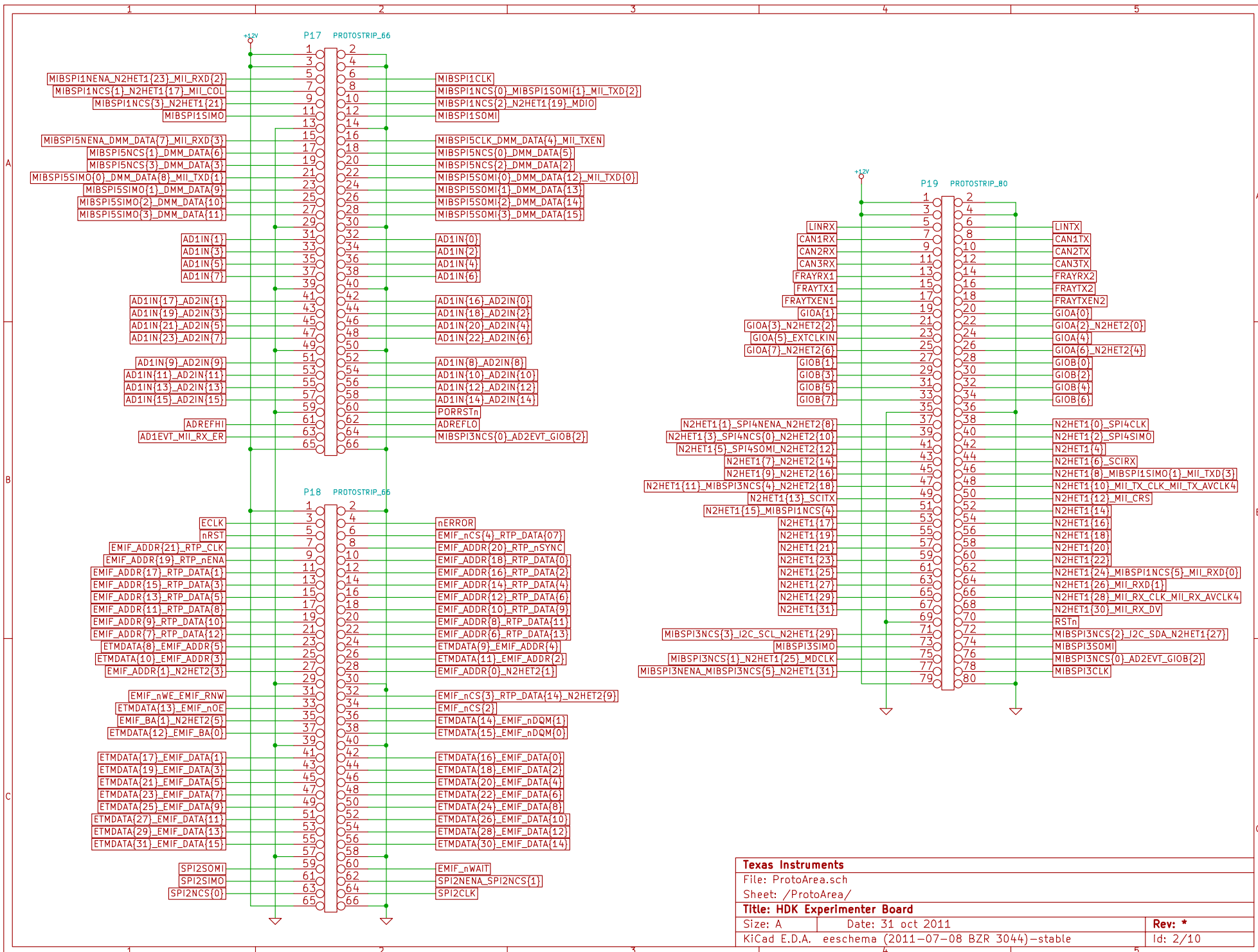
Title: HDK Experimenter Board

Size: A Date: 31 oct 2011

KiCad E.D.A. eeschema (2011-07-08 BZR 3044)-stable

Rev: *

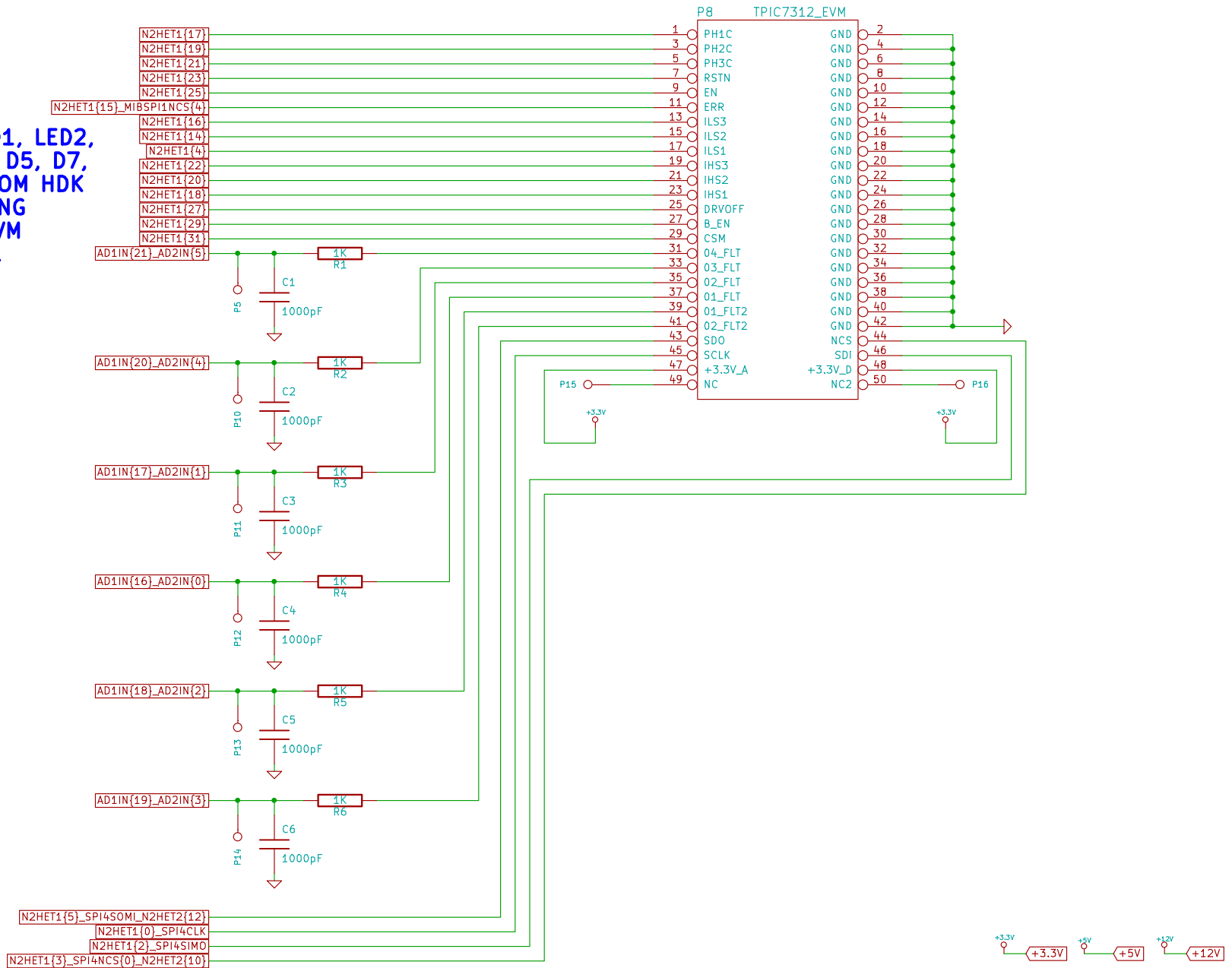
Id: 1/10



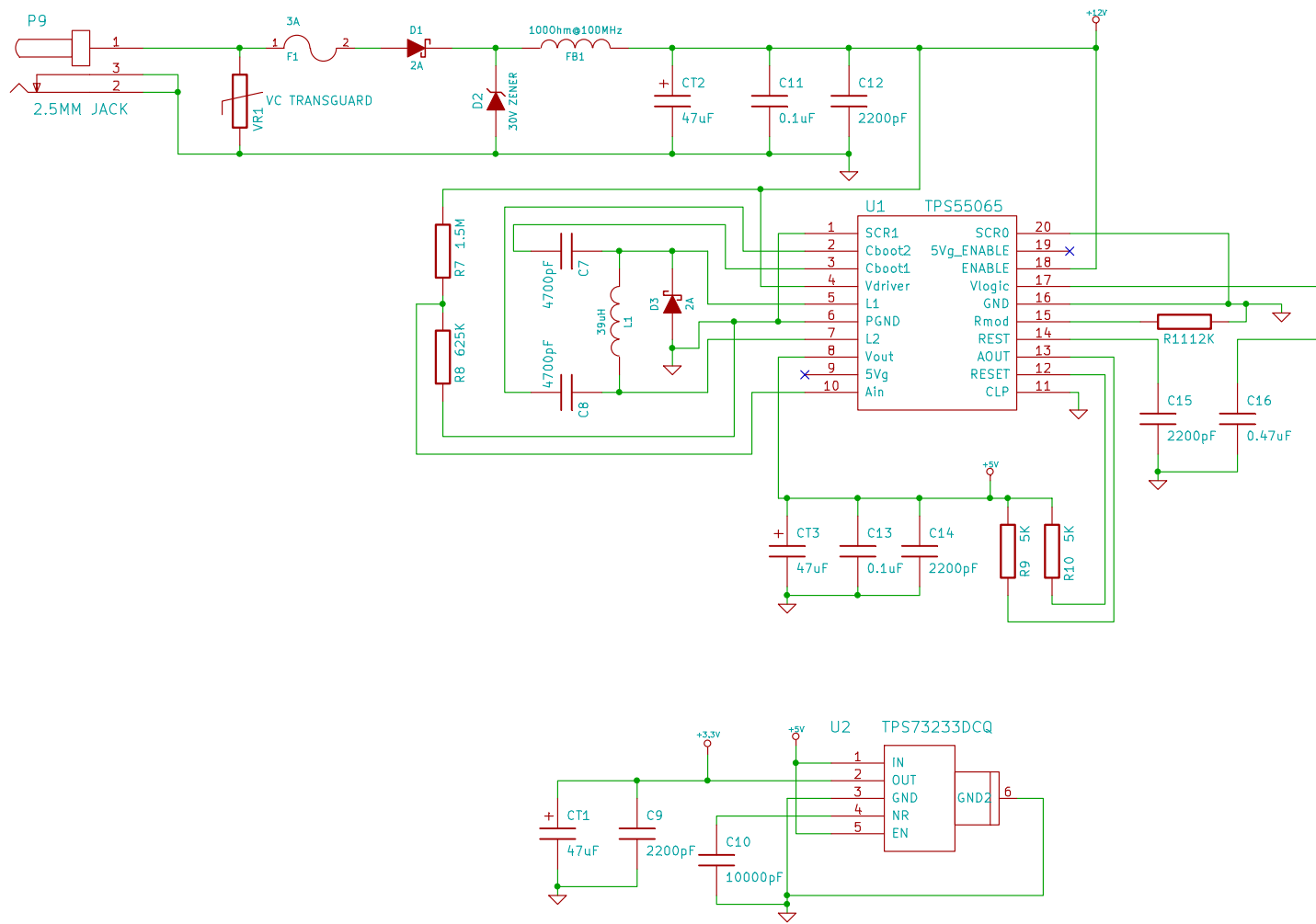
Texas Instruments	
File: ProtoArea.sch	
Sheet: /ProtoArea/	
Title: HDK Experimenter Board	
Size: A	Date: 31 oct 2011
KiCad E.D.A. eeschema (2011-07-08 BZR 3044)-stable	
Rev: *	
Id: 2/10	

NOTE:

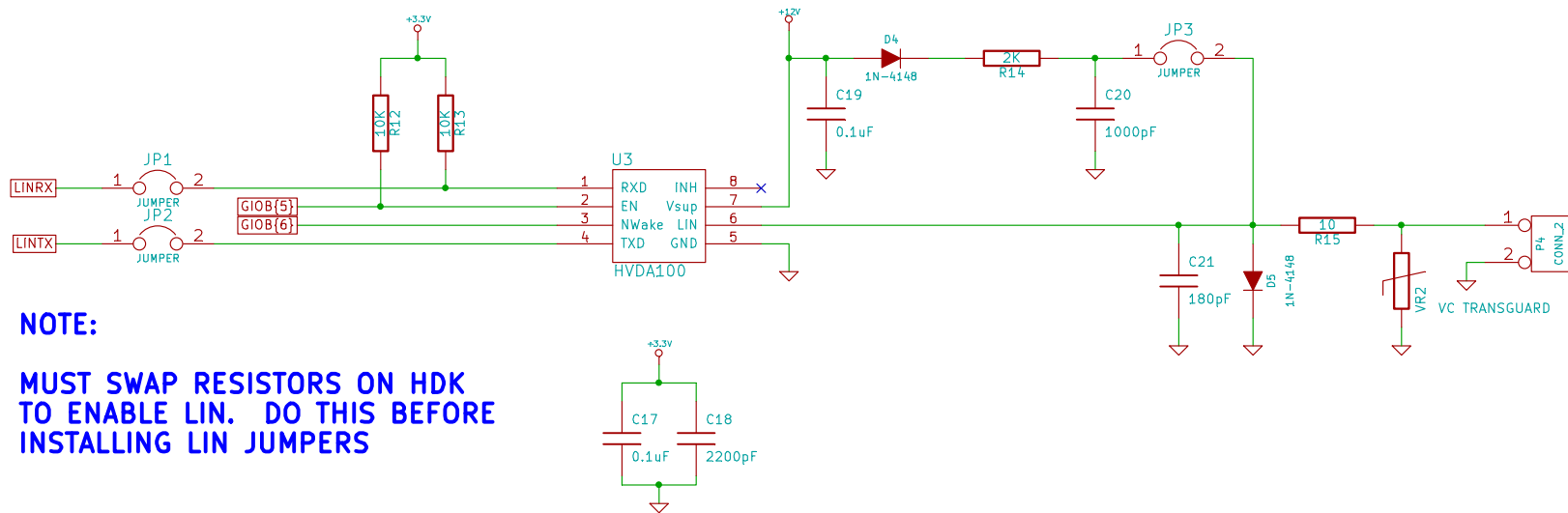
**REMOVE LED1, LED2,
D3, D4, D5, D5, D7,
AND D8 FROM HDK
BEFORE USING
TPIC7312 EVM
CONNECTOR.**



Texas Instruments Inc.		
File: TPIC7312_EVM.sch		
Sheet: /TPIC7312 EVM Interface/		
Title: HDK Experimenter Board		
Size: A	Date: 31 oct 2011	Rev: *
KiCad E.D.A. eeschema (2011-07-08 BZR 3044)-stable		Id: 3/10



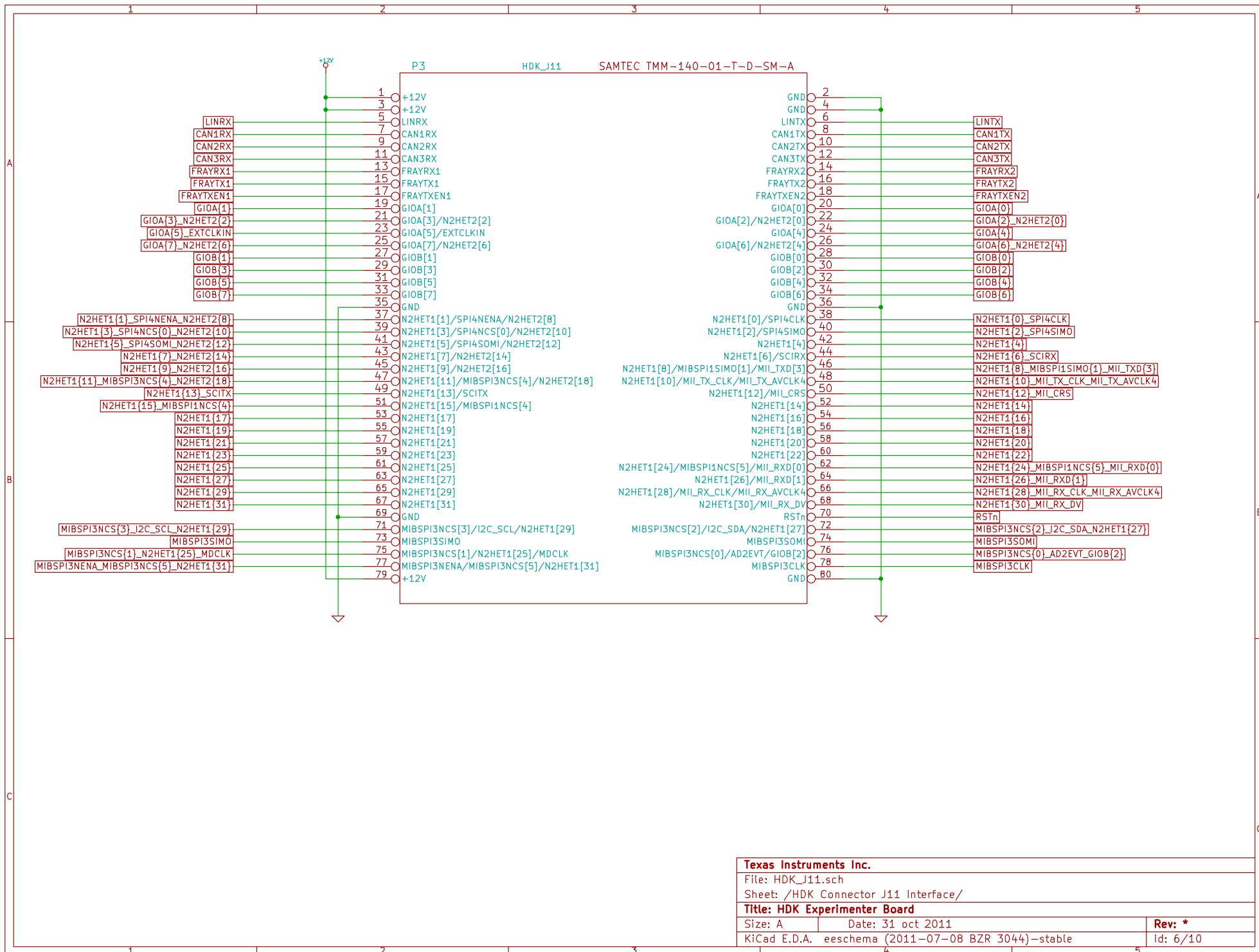
Texas Instruments Inc.	
File: POWER.sch	
Sheet: /Power Supply/	
Title: HDK Experimenter Board	
Size: A	Date: 31 oct 2011
KiCad E.D.A.	eeschema (2011-07-08 BZR 3044)-stable
	Rev: *
	Id: 4/10



NOTE:

MUST SWAP RESISTORS ON HDK TO ENABLE LIN. DO THIS BEFORE INSTALLING LIN JUMPERS

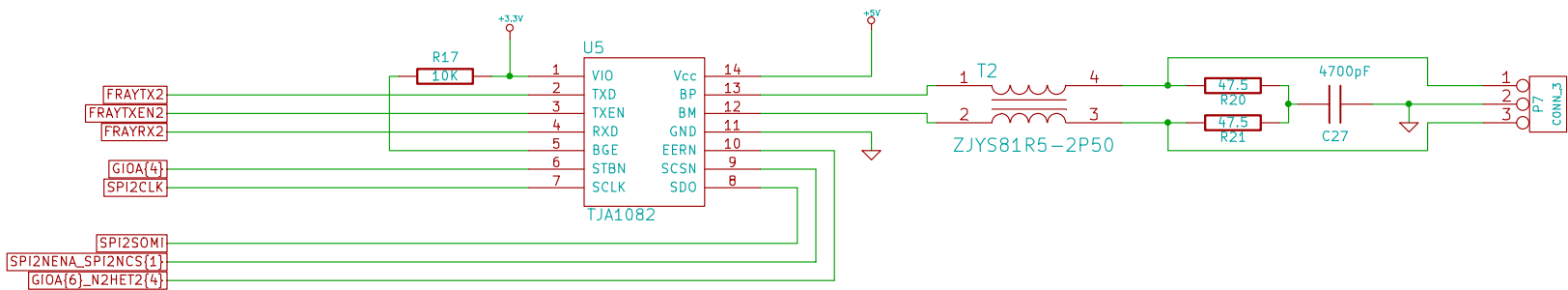
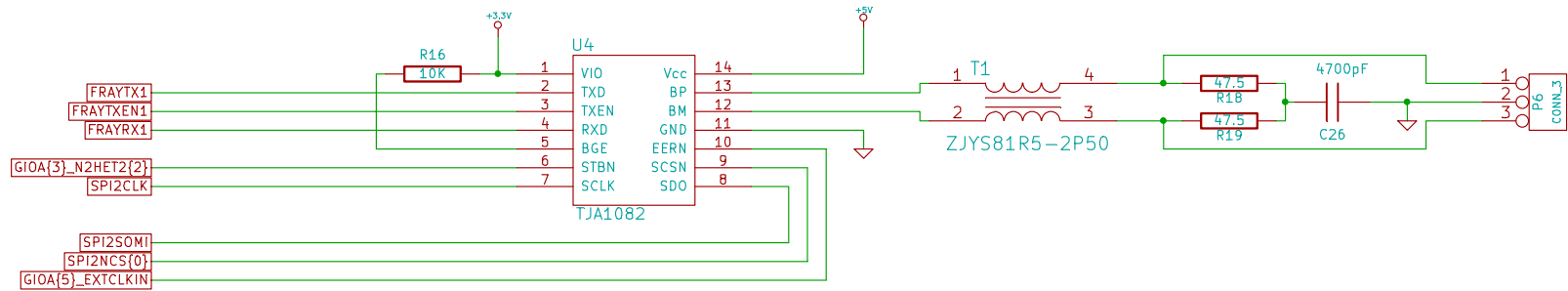
Texas Instruments Inc.	
File: LIN.sch	
Sheet: /LIN Transceiver/	
Title: HDK Experimenter Board	
Size: A	Date: 31 oct 2011
KiCad E.D.A. eeschema (2011-07-08 BZR 3044)-stable	Rev: *
	Id: 5/10





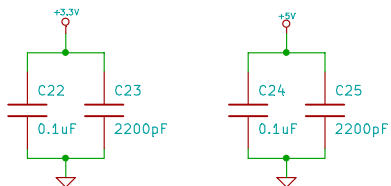
Texas Instruments Inc.		
File: HDK_J9.sch		
Sheet: /HDK Connector J9 Interface/		
Title: HDK Experimenter Board		
Size: A	Date: 31 oct 2011	Rev: *
KiCad E.D.A. eeschema (2011-07-08 BZR 3044)-stable		Id: 7/10



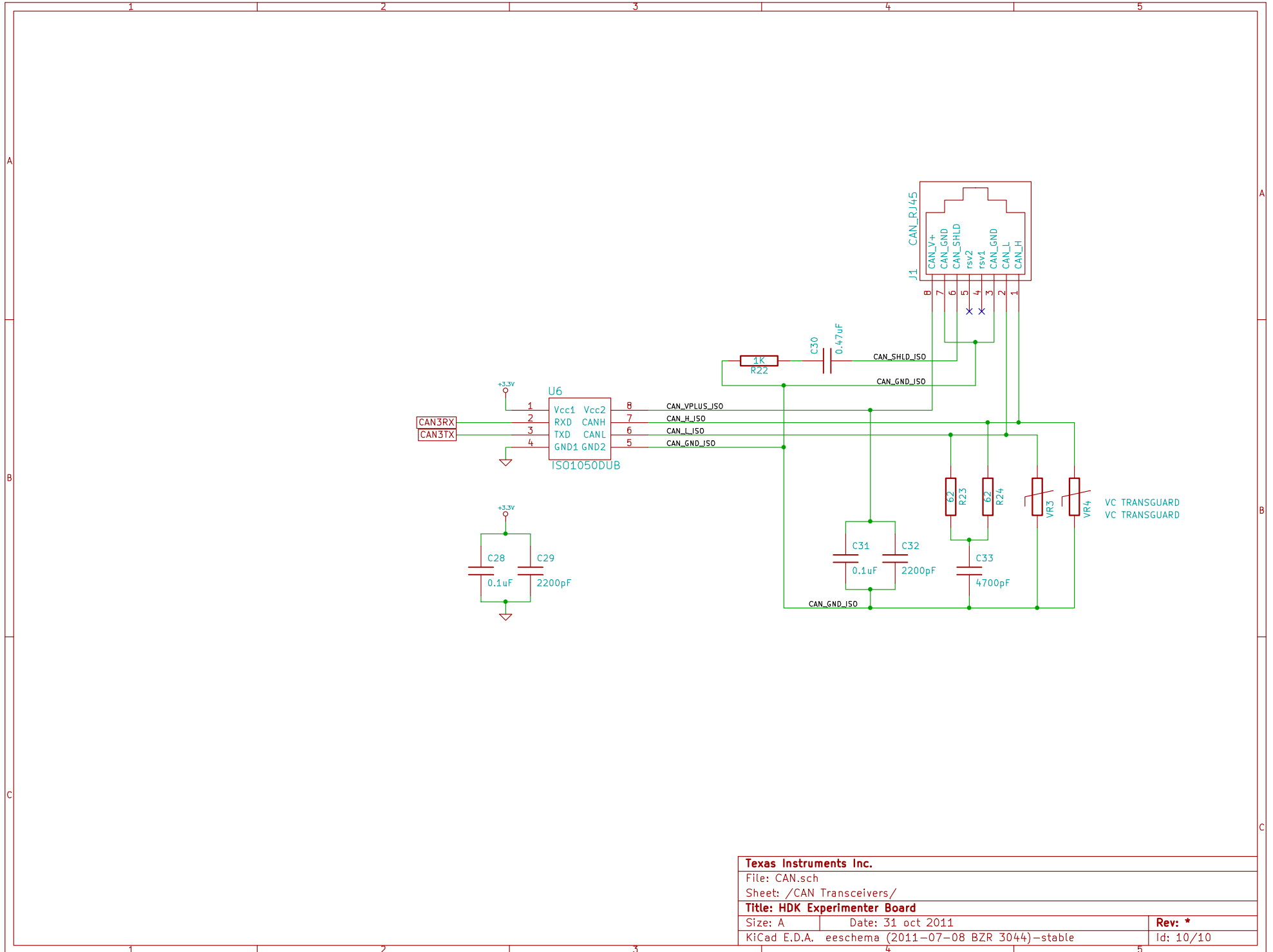


NOTE:

**SPI2 IS ALSO USED FOR SDCARD ON HDK
DO NOT PLUG IN SDCARD WHILE USING FLEXRAY**



Texas Instruments Inc.		
File: FLEXRAY.sch		
Sheet: /FlexRay Transceivers/		
Title: HDK Experimenter Board		
Size: A	Date: 31 oct 2011	Rev: *
KiCad E.D.A. eeschema (2011-07-08 BZR 3044)-stable		Id: 9/10



Texas Instruments Inc.		
File: CAN.sch		
Sheet: /CAN Transceivers/		
Title: HDK Experimenter Board		
Size: A	Date: 31 oct 2011	Rev: *
KiCad E.D.A. eeschema (2011-07-08 BZR 3044)-stable		Id: 10/10